

# Double solenoid valve DN 25, DN 50 nominal diameters

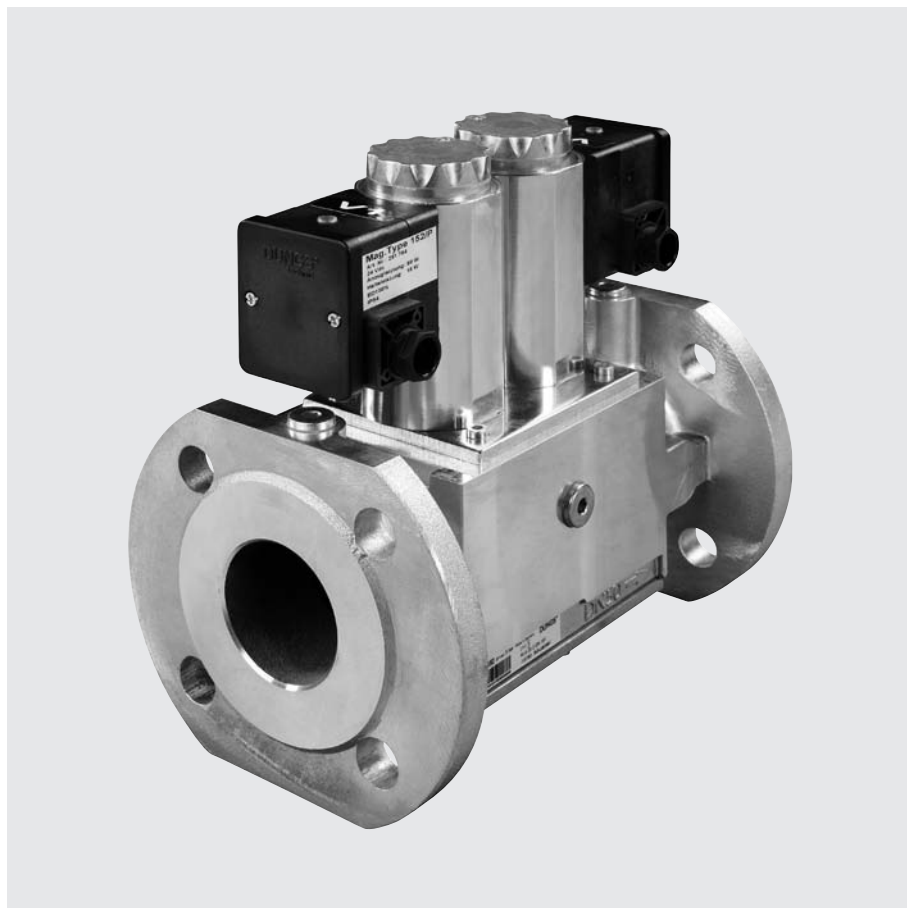
DMV 50025  
DMV 50050

**DUNGS**<sup>®</sup>  
Combustion Controls

7.39

neuvità  
nouveau  
new

- Low power consumption
- Low weight
- Compact design
- High flow rates
- Max. operating pressure  
5000 mbar (5 bar, 500 kPa)



## Technical description

The DUNGS double solenoid valve DMV integrates two solenoid valves in one compact fitting.

- Automatic shut-off valves as per DIN EN 161 Class A Group 2.
- Two A valves in one housing
- Double seat valves
- High flow rates
- Max. operating pressure up to 5.0 bar (500 kPa)
- Fast closing
- Fast opening
- DC solenoid
- Low electric power consumption through power switching
- Compact, light-weight

## Application

Double solenoid valves are used where two single valves were mounted previously. In connection with DUNGS gas regulators and additional components, a wide variety of regulating tasks can be performed. Suitable for gases of families 1, 2, 3 and other neutral gaseous media.

## Approvals

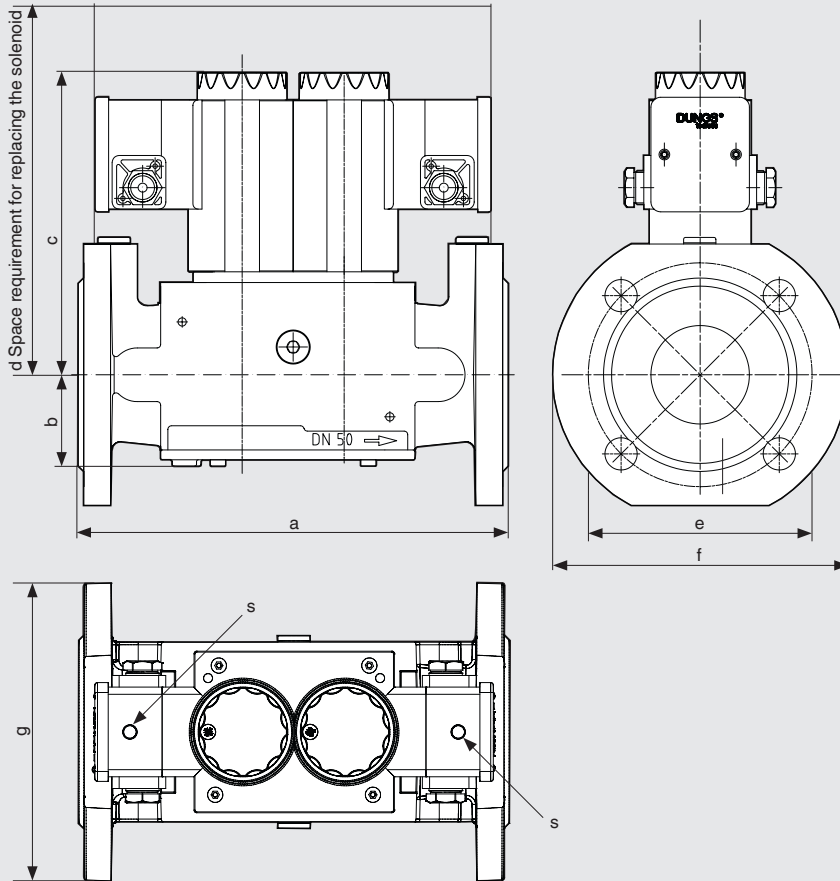
EC type test approval as per EC Gas Appliance Directive:  
DMV 50025-50050 CE-0085 BS 0501  
EC type test approval as per EC Pressure Equipment Directive:  
DMV 50025-50050 CE0036  
Approvals in other important gas consuming countries.

**DMV 50025-50050** Two single-stage solenoid valves normally closed, fast opening, fast closing.  
Electric activation: separately opening

### Specifications

Nominal diameters	DN 25 50				
Flange	Connection flange as per DIN 2501 Part 1, to fit preweld flanges as per DIN 2633 (PN 16) DN 25 - DN 50, ISO 7005 - 1 (PN 16), ISO 7005 - 2 (PN 16) Construction length as per DIN 3202 Part 1, row F1 for DN 50				
Max. operating pressure	5000 mbar (500 kPa) max. pressure difference $\Delta p = 500$ mbar max. flow velocity = 50 m/s				
Solenoid valve V1	Automatic shut-off valve as per EN 161: Class A, Group 2, Version: double-seat				
Solenoid valve V2	Automatic shut-off valve as per EN 161: Class A, Group 2, Version: double-seat				
Closing time	< 1 s				
Opening time	< 1 s				
Materials of gas conveying parts	Housing: aluminium, steel, no non-ferrous metals Seals at valve seat: NBR basis, suitable for gases as per G260/I				
Ambient temperature	-15 °C bis +60 °C				
Installation position	Solenoid vertically upright to lying horizontally				
Dirt trap	Sieve installed. To protect the complete gas train we recommend you to install an upstream gas filter				
Measuring gas connection	G 1/4 DIN ISO 228 centrally upstream of V1 and downstream of V2 G 1/4 DIN ISO 228 between V1 and V2				
Voltage/frequency	50 - 60 Hz, 230 V AC, -15% +10%, further voltages on request Other preferred voltages: 110 V - 120 V AC, 24 V DC				
Rating / power consumption entire fitting at 230 V AC, + 20°C All indications are effective values	Version	Starting power approx. [W]	Holding power approx. [W]	Break-away starting current [A]	Holding current [A]
	DMV 50025	2x80	2x15	2x1,0	2x0,5
	DMV 50050	2x80	2x15	2x1,0	2x0,5
Power supply display	Green LED				
Degree of protection / switch-on duration	IP 54 as per IEC 529 (EN 60529)				
Switching cycles	60 per hour (30 s on/off)				
Electrical connection	At screw terminals via PG 11 Plug connection as per DIN 175 0301-803 can be retrofitted				
Radio interference	Degree of interference N				

## Dimensions

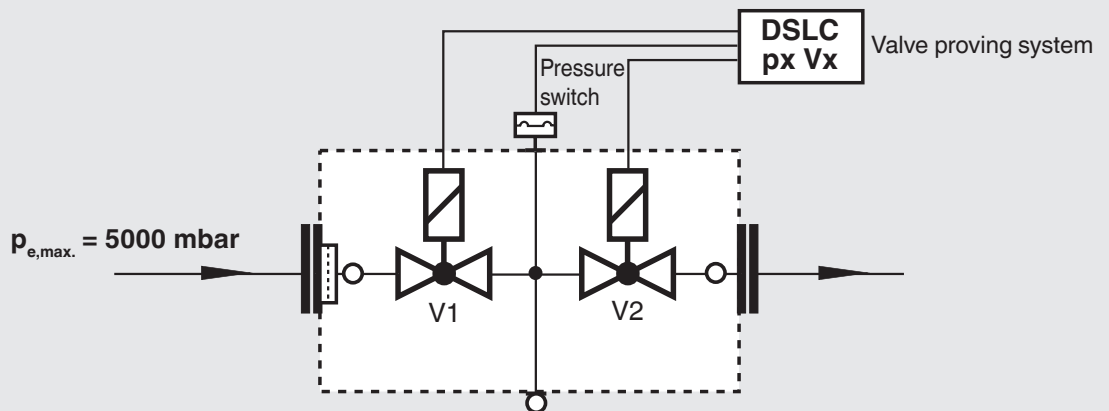


s = Operation display, Green LED

Version	Order No.	p <sub>max.</sub> [bar]	Conne- ction DN	Dimensions [mm]						Sole- noid No.	Swit- ching rate/h	Weight [kg]
				a	b	c	d	e	f			
DMV 50025	on request	5.0	DN 25	240	51	170	270	102	116	152/P	60	8.1
DMV 50050	254 849	5.0	DN 50	240	51	170	270	102	165	152/P	60	8.1

**⚠ Important: Always order, plug connection and system accessories separately.**

## Double solenoid valve



### Accessories

The double solenoid valve is prepared for mounting of **DUNGS** accessories and additional equipment.

### Information on accessories

**DSLX px Vx valve proving system**  
Datasheet 8.21

**Compact pressure switch for multiple actuators GW...A4 HP**  
Datasheet 5.04

**⚠ If a system accessory is added, it may not be possible to mount further devices.**

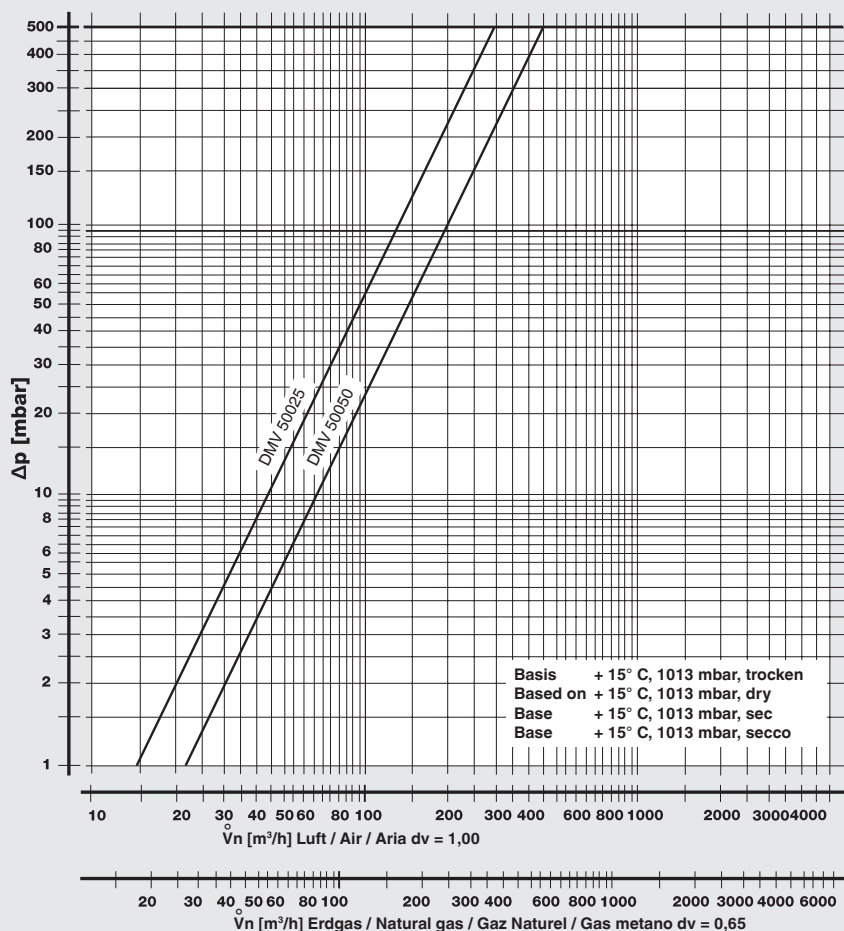
**⚠ When selecting the system components, you must observe the max. operating pressure!**

**Double solenoid valve  
DN 25, DN 50  
nominal diameters**

**DMV 50025  
DMV 50050**



**Flow diagram**



max. pressure difference  
 $\Delta p = 500$  mbar  
 max. flow velocity  
 = 50 m/s

$$f = \sqrt{\frac{\text{Dichte Luft}}{\text{Dichte des verwendeten Gases}}}$$

Spec. weight air  
 poids spécifique de l'air  
 peso specifico aria

Spec. weight of gas used  
 poids spécifique du gaz utilisé  
 peso specifico del gas utilizzato

Gas type	Spec. Wgt. [kg/m³]	$d_v$	$f$
Nat. gas	0.81	0.65	1.24
City gas	0.58	0.47	1.46
LPG	2.08	1.67	0.77
Air	1.24	1.00	1.00

$$\dot{V}_{\text{verwendetes Gas/gas used/gaz utilisé/gas utilizzato}} = \dot{V}_{\text{Luft/air/air/aria}} \times f$$

We reserve the right to make any changes in the interest of technical progress.

**Head Offices and Factory  
 Karl Dungs GmbH & Co. KG  
 Siemensstraße 6-10  
 D-73660 Urbach, Germany  
 Telephone +49 (0)7181-804-0  
 Fax +49 (0)7181-804-166**

**Postal address  
 Karl Dungs GmbH & Co. KG  
 Postfach 12 29  
 D-73602 Schorndorf, Germany  
 e-mail info@dungs.com  
 Internet www.dungs.com**